

With a given length, and with two points and one straight line, construct a point where the sum of the distances between one point on these straight line and the two points is the given length.

주어진 길이가 있고 두 점과 한 직선이
주어진 상태에서 이 직선상의 점과 두
점과의 거리의 합이 주어진 길이가 되는
점을 작도하여라.

(With a given length, and with two points and one straight line, construct a point where the sum of the distances between one point on these straight line and the two points is the given length.)

With a given length, and with two points and one straight line, construct a point where the sum of the distances between one point on these straight line and the two points is the given length.

▶ Start

With a given length, and with two points and one straight line, construct a point where the sum of the distances between one point on these straight line and the two points is the given length.

▶ Start



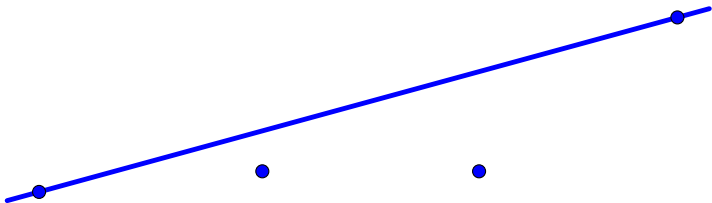
With a given length, and with two points and one straight line, construct a point where the sum of the distances between one point on these straight line and the two points is the given length.

▶ Start



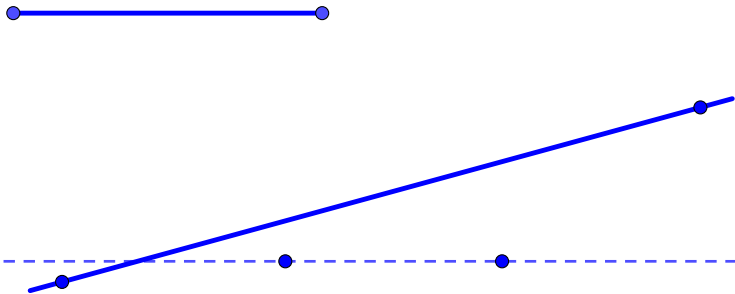
With a given length, and with two points and one straight line, construct a point where the sum of the distances between one point on these straight line and the two points is the given length.

▶ Start



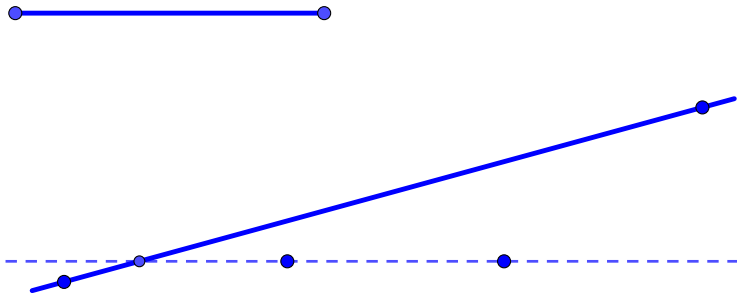
With a given length, and with two points and one straight line, construct a point where the sum of the distances between one point on these straight line and the two points is the given length.

▶ Start



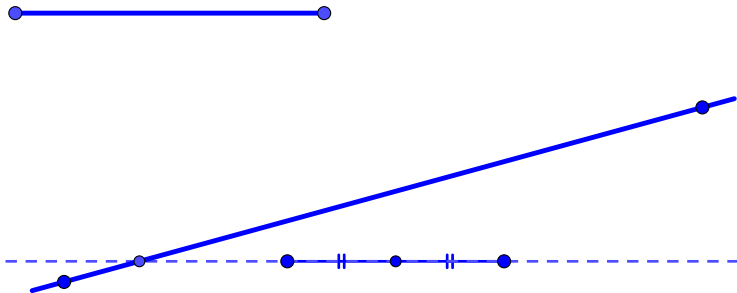
With a given length, and with two points and one straight line, construct a point where the sum of the distances between one point on these straight line and the two points is the given length.

▶ Start



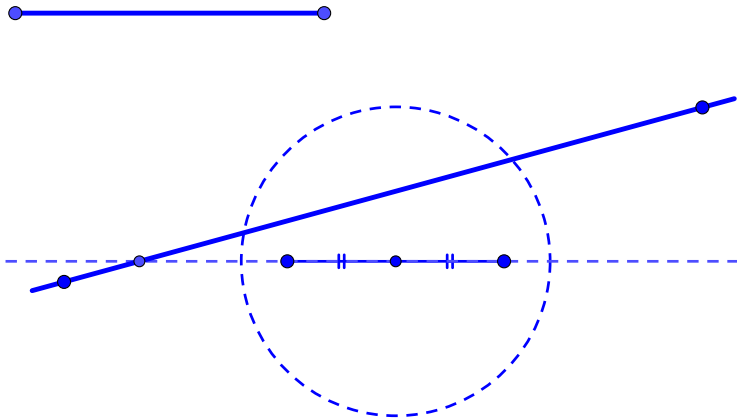
With a given length, and with two points and one straight line, construct a point where the sum of the distances between one point on these straight line and the two points is the given length.

▶ Start



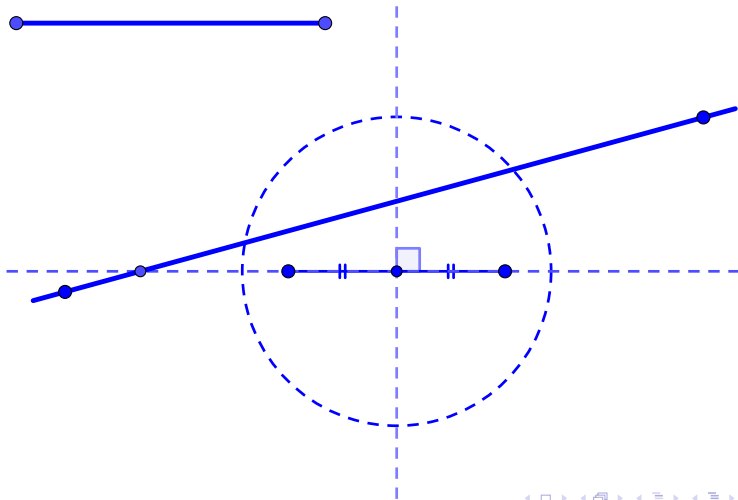
With a given length, and with two points and one straight line, construct a point where the sum of the distances between one point on these straight line and the two points is the given length.

▶ Start



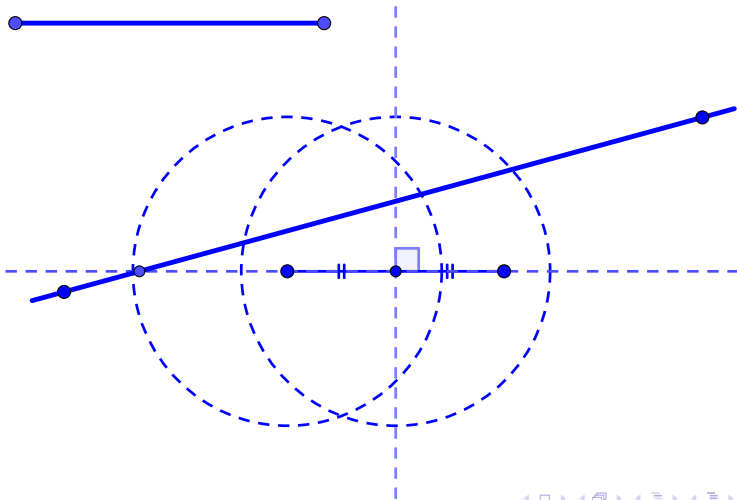
With a given length, and with two points and one straight line, construct a point where the sum of the distances between one point on these straight line and the two points is the given length.

▶ Start



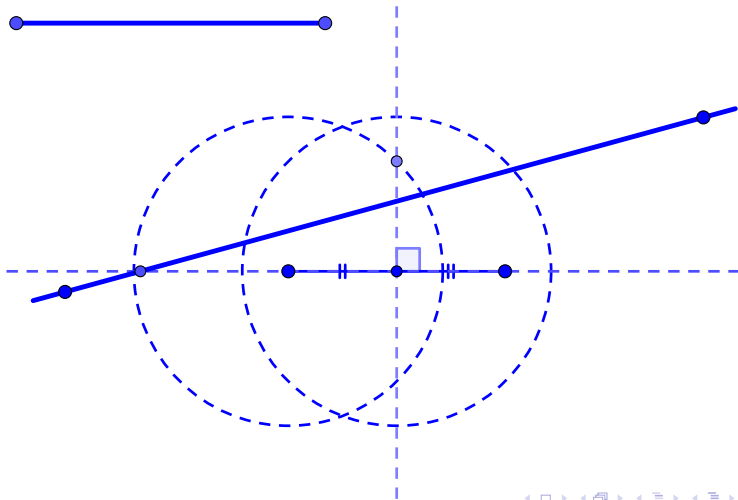
With a given length, and with two points and one straight line, construct a point where the sum of the distances between one point on these straight line and the two points is the given length.

▶ Start



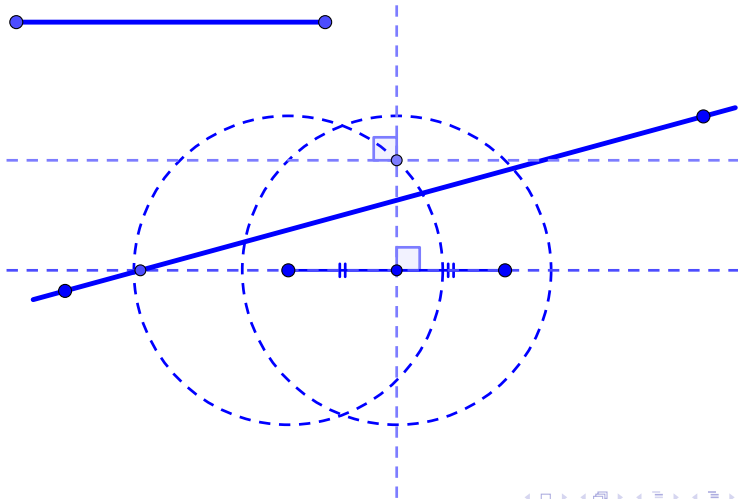
With a given length, and with two points and one straight line, construct a point where the sum of the distances between one point on these straight line and the two points is the given length.

▶ Start



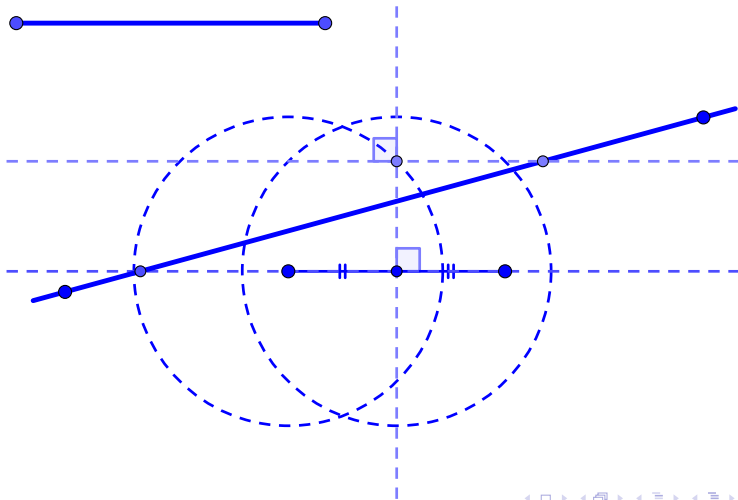
With a given length, and with two points and one straight line, construct a point where the sum of the distances between one point on these straight line and the two points is the given length.

▶ Start



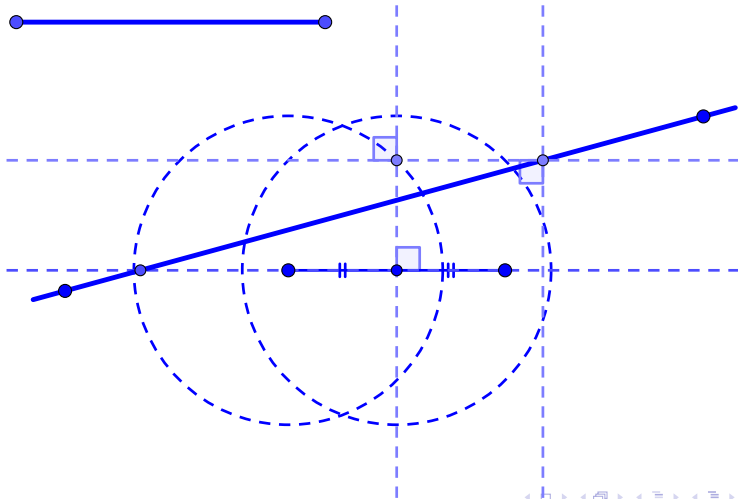
With a given length, and with two points and one straight line, construct a point where the sum of the distances between one point on these straight line and the two points is the given length.

▶ Start



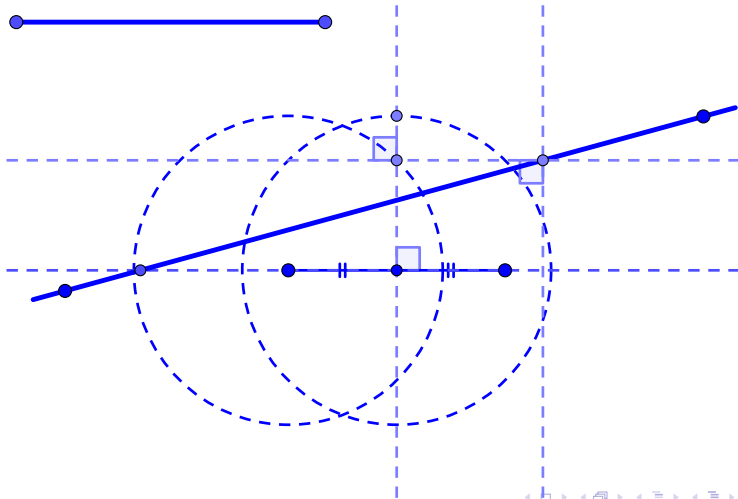
With a given length, and with two points and one straight line, construct a point where the sum of the distances between one point on these straight line and the two points is the given length.

▶ Start



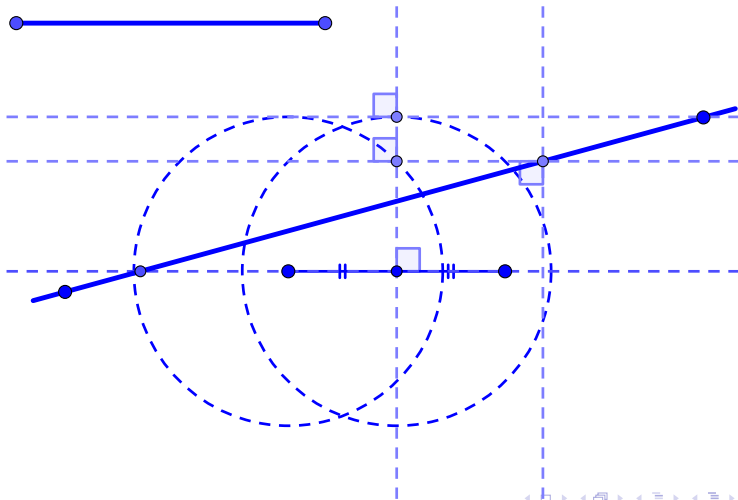
With a given length, and with two points and one straight line, construct a point where the sum of the distances between one point on these straight line and the two points is the given length.

▶ Start



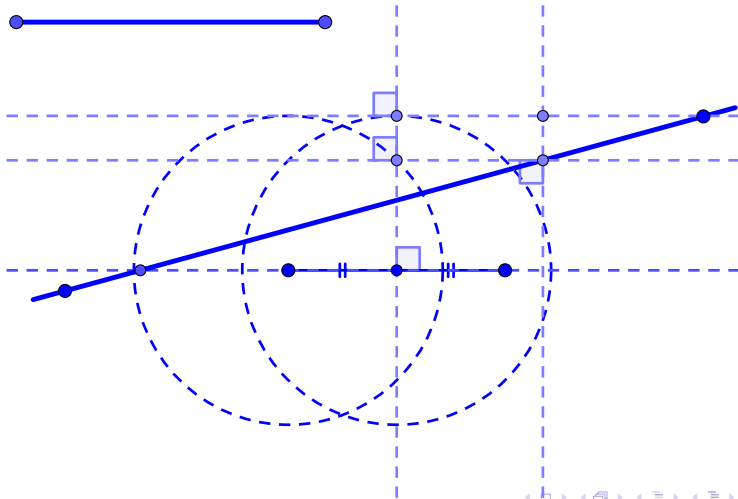
With a given length, and with two points and one straight line, construct a point where the sum of the distances between one point on these straight line and the two points is the given length.

▶ Start



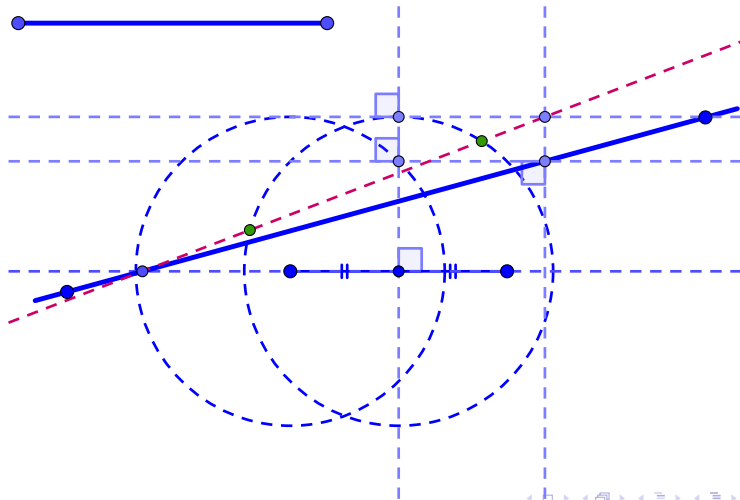
With a given length, and with two points and one straight line, construct a point where the sum of the distances between one point on these straight line and the two points is the given length.

▶ Start



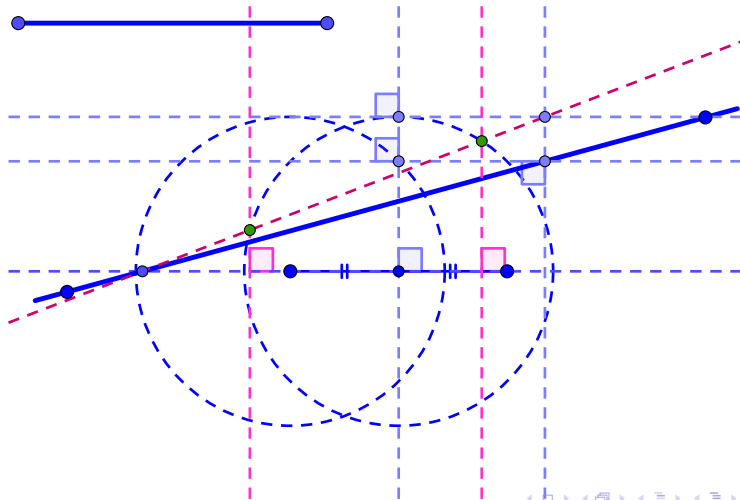
With a given length, and with two points and one straight line, construct a point where the sum of the distances between one point on these straight line and the two points is the given length.

▶ Start



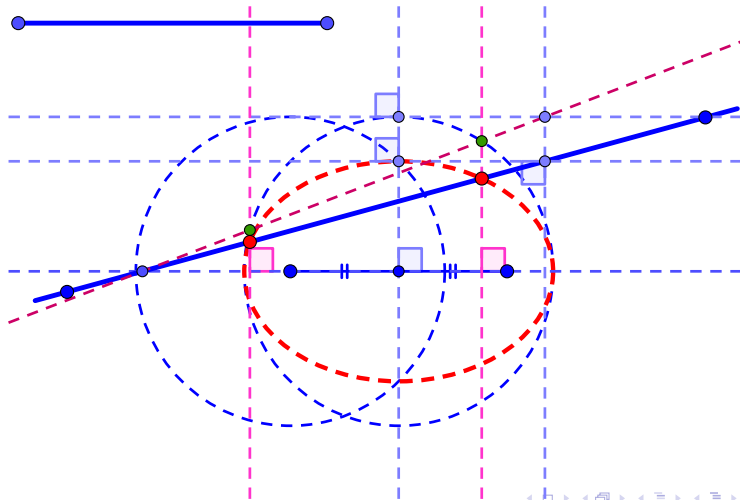
With a given length, and with two points and one straight line, construct a point where the sum of the distances between one point on these straight line and the two points is the given length.

▶ Start



With a given length, and with two points and one straight line, construct a point where the sum of the distances between one point on these straight line and the two points is the given length.

▶ Start



With a given length, and with two points and one straight line, construct a point where the sum of the distances between one point on these straight line and the two points is the given length.

▶ Home

