

6-3-5 직육면체의 공간에서의 대각선의 길이

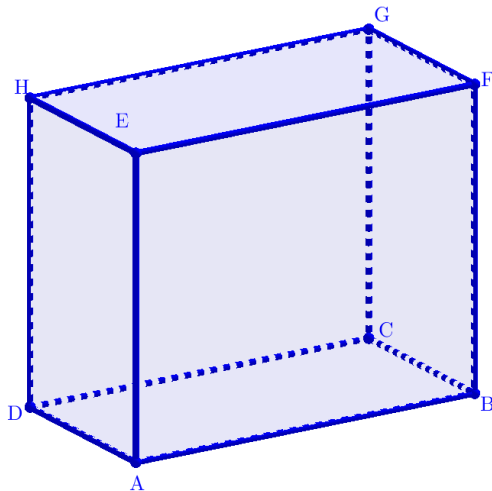
(The length of the space diagonal of 6-3-5 regular hexahedron)

The length of the space diagonal of 6-3-5 regular hexahedron

▶ Start

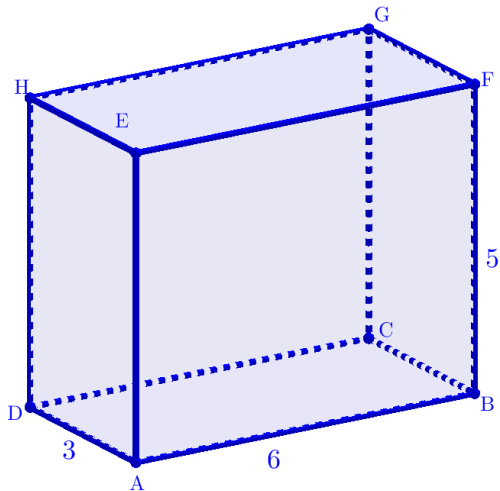
The length of the space diagonal of 6-3-5 regular hexahedron

▶ Start



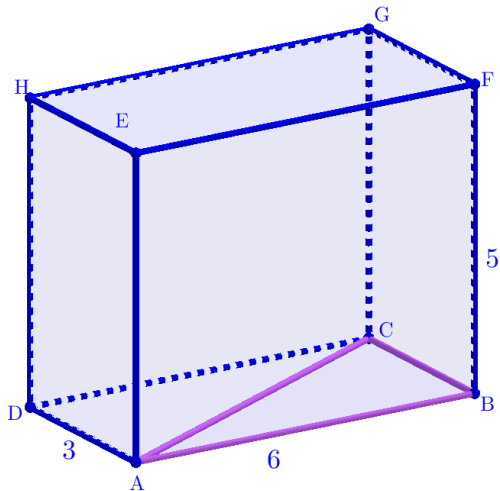
The length of the space diagonal of 6-3-5 regular hexahedron

▶ Start



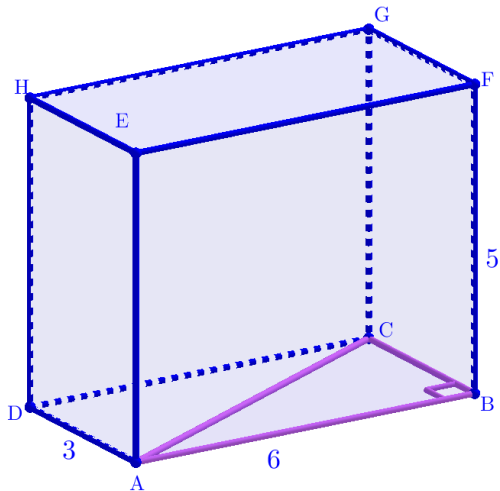
The length of the space diagonal of 6-3-5 regular hexahedron

▶ Start



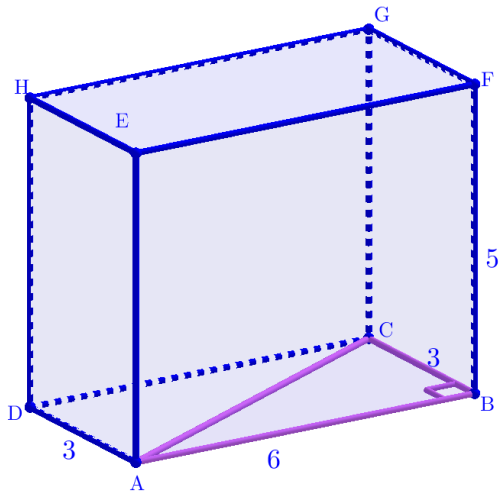
The length of the space diagonal of 6-3-5 regular hexahedron

▶ Start



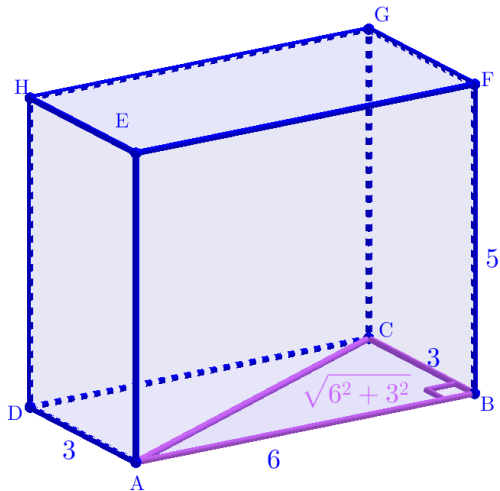
The length of the space diagonal of 6-3-5 regular hexahedron

▶ Start



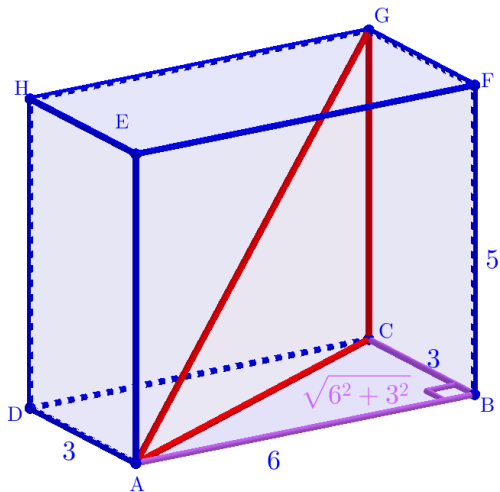
The length of the space diagonal of 6-3-5 regular hexahedron

▶ Start



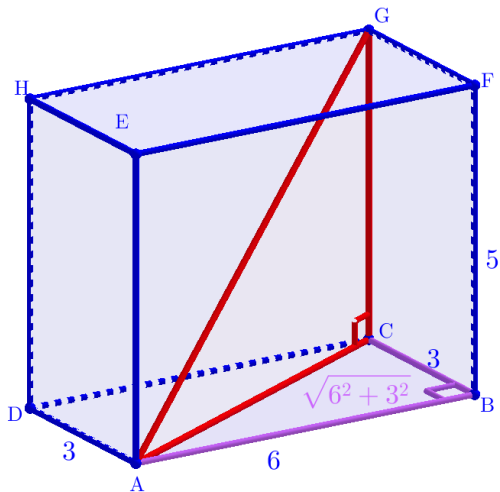
The length of the space diagonal of 6-3-5 regular hexahedron

▶ Start



The length of the space diagonal of 6-3-5 regular hexahedron

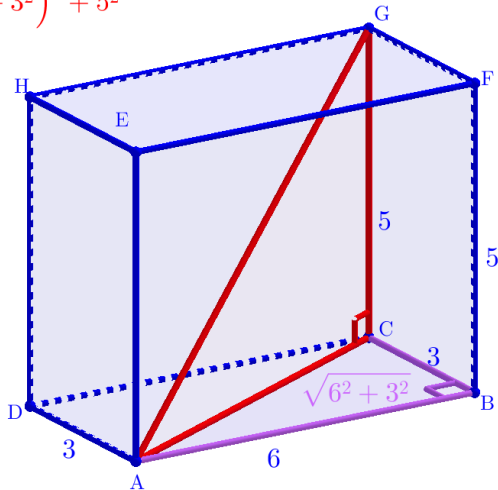
▶ Start



The length of the space diagonal of 6-3-5 regular hexahedron

▶ Start

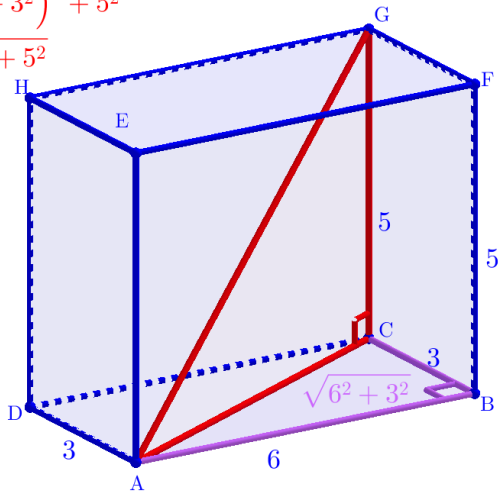
$$\overline{AG} = \sqrt{\left(\sqrt{6^2 + 3^2}\right)^2 + 5^2}$$



The length of the space diagonal of 6-3-5 regular hexahedron

▶ Start

$$\begin{aligned}\overline{AG} &= \sqrt{\left(\sqrt{6^2 + 3^2}\right)^2 + 5^2} \\ &= \sqrt{6^2 + 3^2 + 5^2}\end{aligned}$$



The length of the space diagonal of 6-3-5 regular hexahedron

▶ Home

$$\begin{aligned}\overline{AG} &= \sqrt{\left(\sqrt{6^2 + 3^2}\right)^2 + 5^2} \\ &= \sqrt{6^2 + 3^2 + 5^2}\end{aligned}$$

