

$$(a + b)(a - b) = a^2 - b^2$$

$$(a + b)(a - b) = a^2 - b^2$$

$$(a + b)(a - b) = a^2 - b^2$$

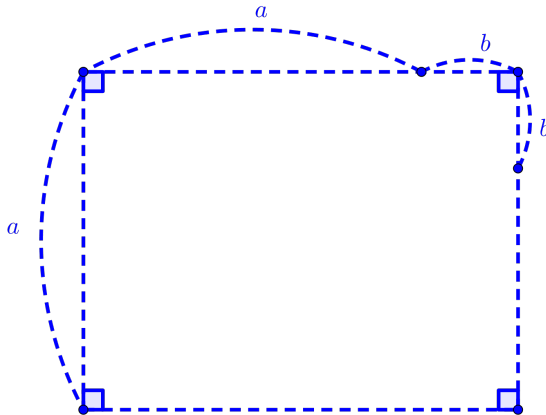
▶ Start





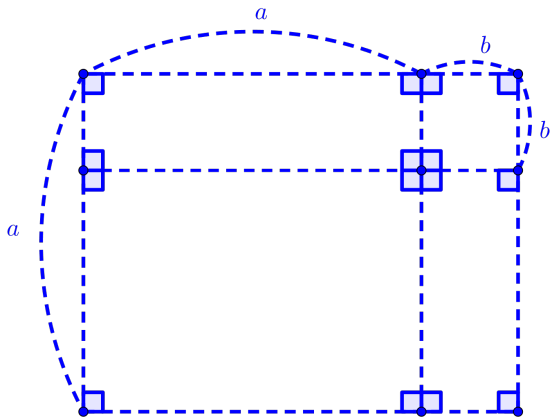
$$(a + b)(a - b) = a^2 - b^2$$

▶ Start



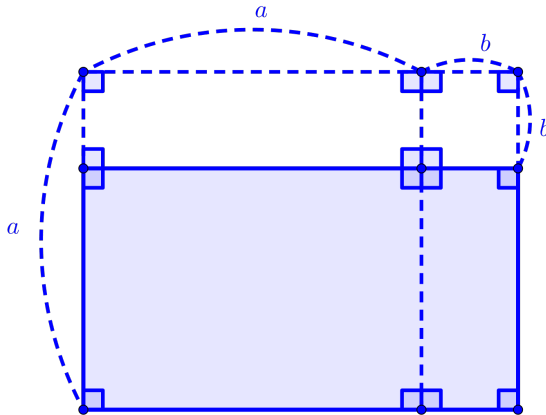
$$(a + b)(a - b) = a^2 - b^2$$

▶ Start



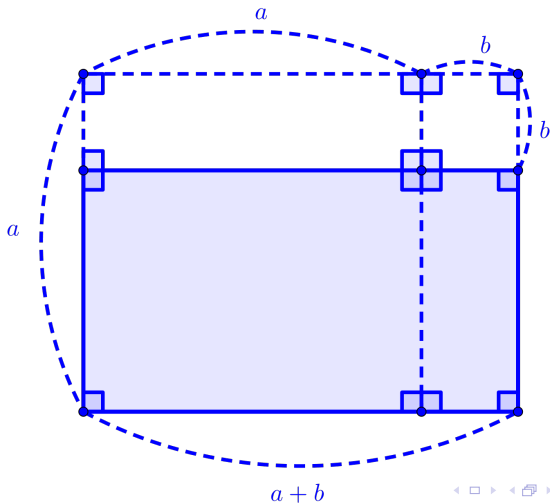
$$(a + b)(a - b) = a^2 - b^2$$

▶ Start



$$(a + b)(a - b) = a^2 - b^2$$

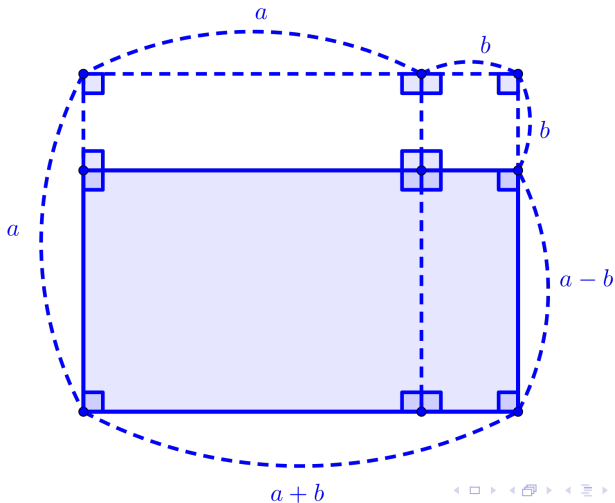
▶ Start





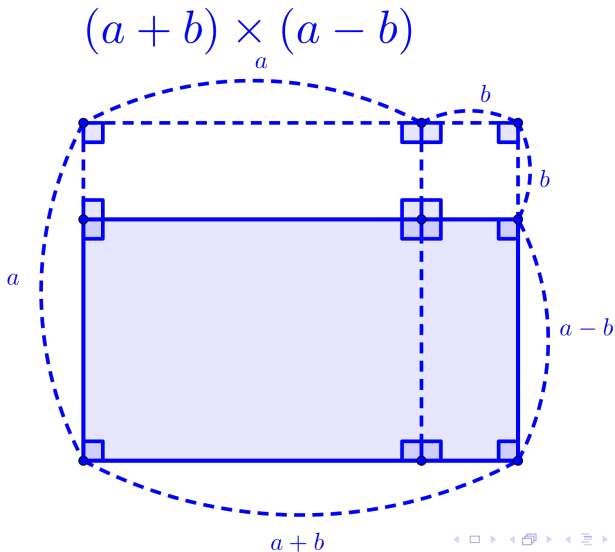
$$(a + b)(a - b) = a^2 - b^2$$

▶ Start



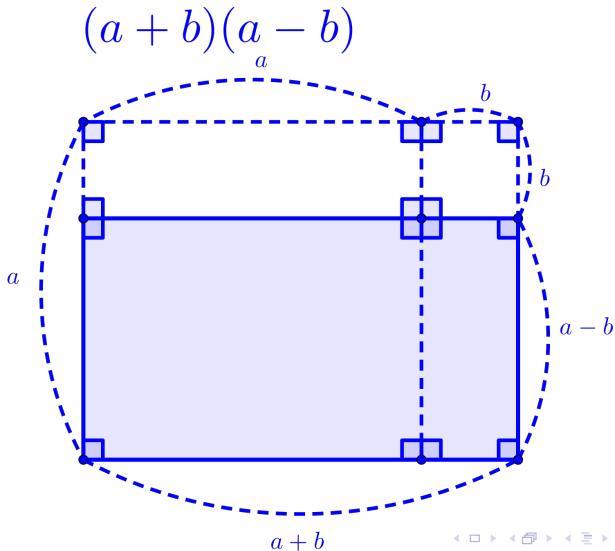
$$(a + b)(a - b) = a^2 - b^2$$

▶ Start



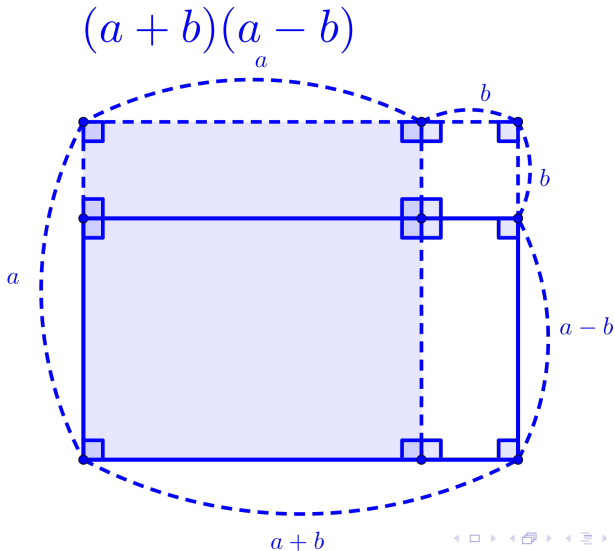
$$(a + b)(a - b) = a^2 - b^2$$

▶ Start



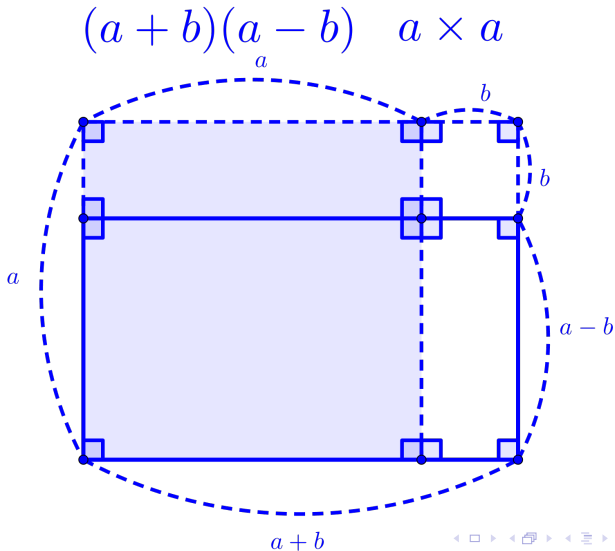
$$(a + b)(a - b) = a^2 - b^2$$

▶ Start



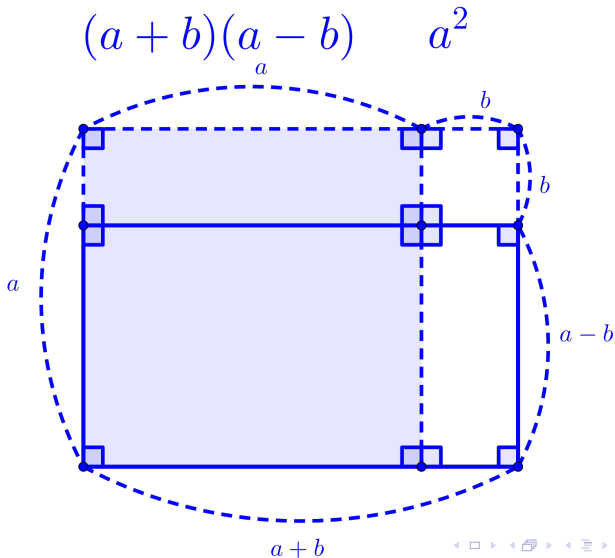
$$(a + b)(a - b) = a^2 - b^2$$

▶ Start



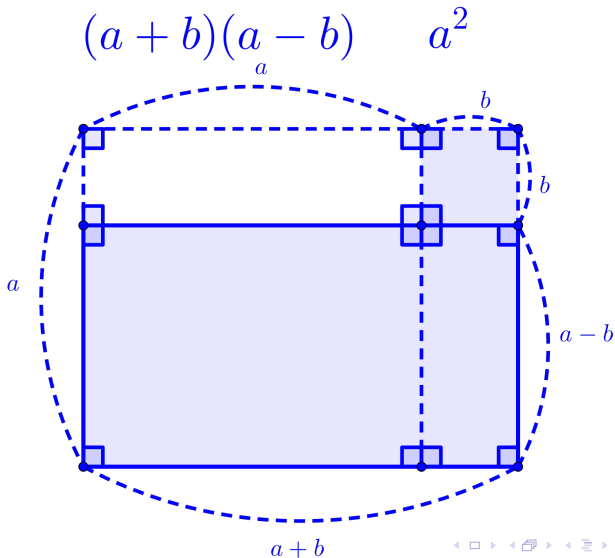
$$(a + b)(a - b) = a^2 - b^2$$

▶ Start



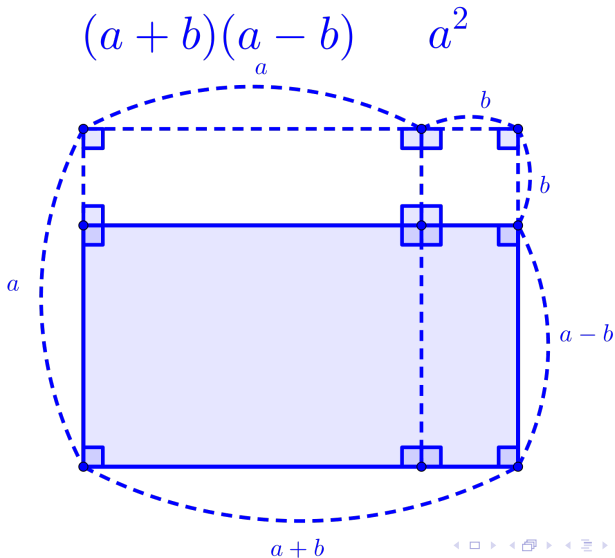
$$(a + b)(a - b) = a^2 - b^2$$

▶ Start



$$(a + b)(a - b) = a^2 - b^2$$

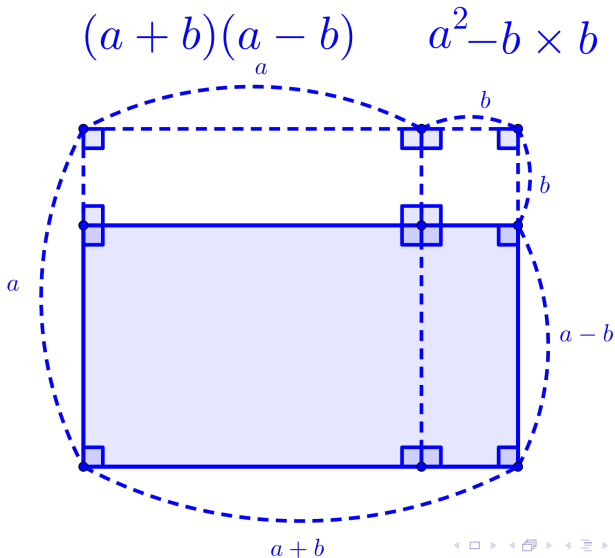
▶ Start





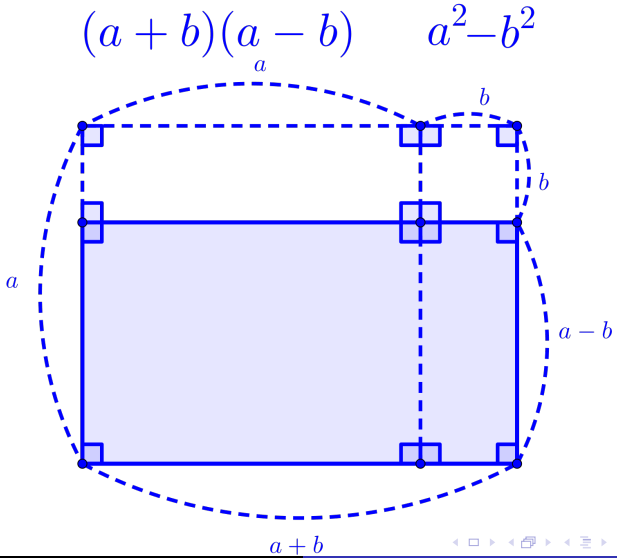
$$(a + b)(a - b) = a^2 - b^2$$

▶ Start



$$(a + b)(a - b) = a^2 - b^2$$

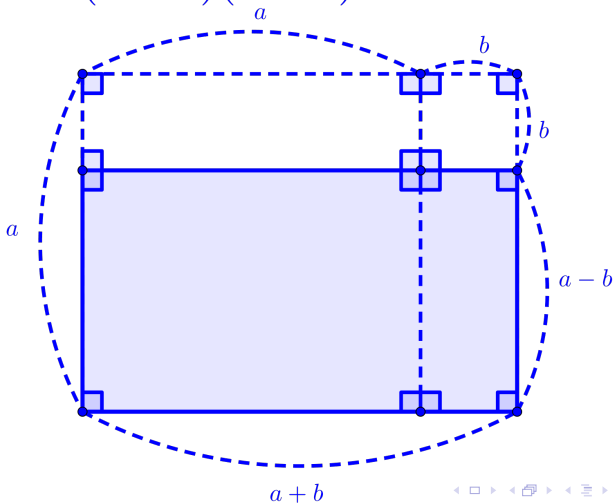
▶ Start



$$(a + b)(a - b) = a^2 - b^2$$

▶ Start

$$(a + b)(a - b) = a^2 - b^2$$



$$(a + b)(a - b) = a^2 - b^2$$

▶ Home

