

$$(a + b)^2 = a^2 + 2ab + b^2$$

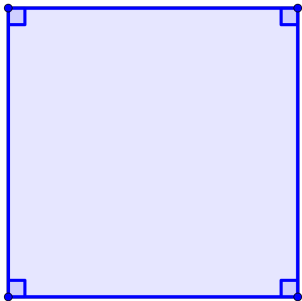
$$(a + b)^2 = a^2 + 2ab + b^2$$

$$(a + b)^2 = a^2 + 2ab + b^2$$

▶ Start

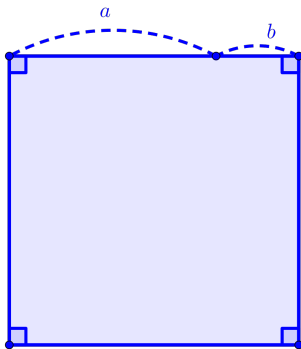
$$(a + b)^2 = a^2 + 2ab + b^2$$

▶ Start



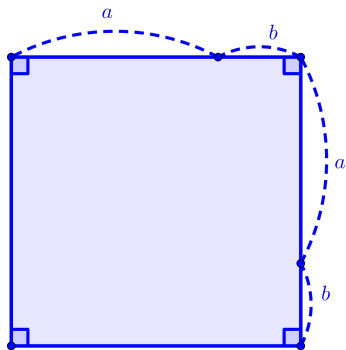
$$(a + b)^2 = a^2 + 2ab + b^2$$

▶ Start



$$(a + b)^2 = a^2 + 2ab + b^2$$

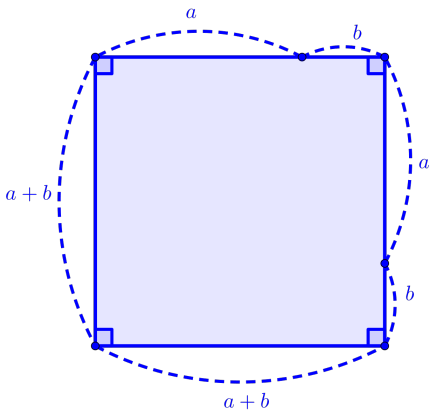
▶ Start





$$(a + b)^2 = a^2 + 2ab + b^2$$

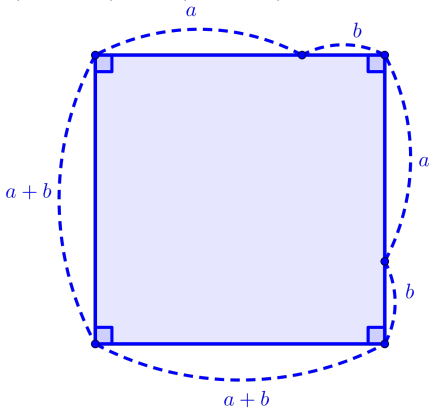
▶ Start



$$(a + b)^2 = a^2 + 2ab + b^2$$

▶ Start

$$(a + b) \times (a + b)$$

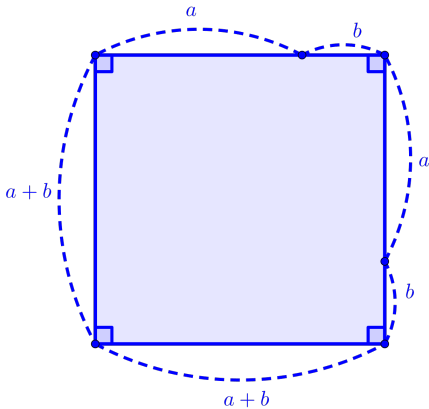




$$(a + b)^2 = a^2 + 2ab + b^2$$

▶ Start

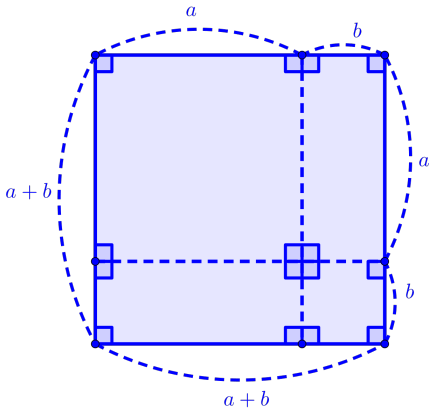
$$(a + b)^2$$



$$(a + b)^2 = a^2 + 2ab + b^2$$

▶ Start

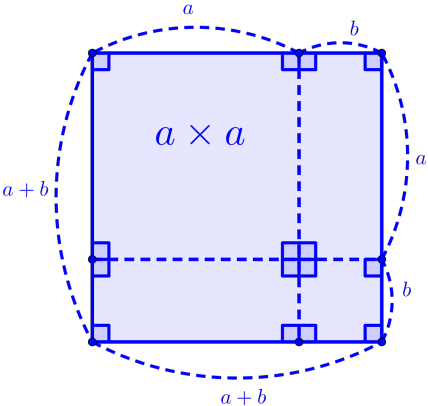
$$(a + b)^2$$



$$(a + b)^2 = a^2 + 2ab + b^2$$

▶ Start

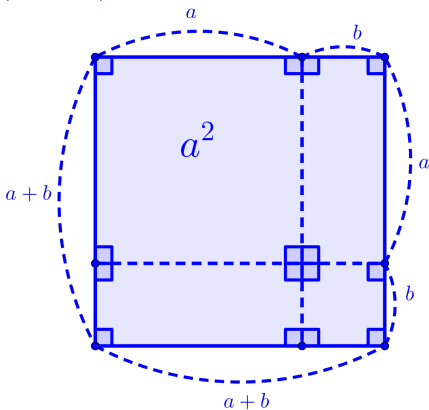
$$(a + b)^2$$



$$(a + b)^2 = a^2 + 2ab + b^2$$

▶ Start

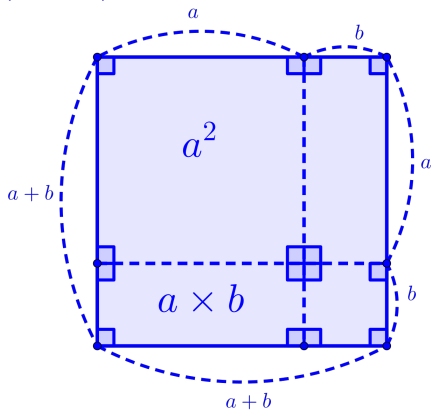
$$(a + b)^2$$



$$(a + b)^2 = a^2 + 2ab + b^2$$

▶ Start

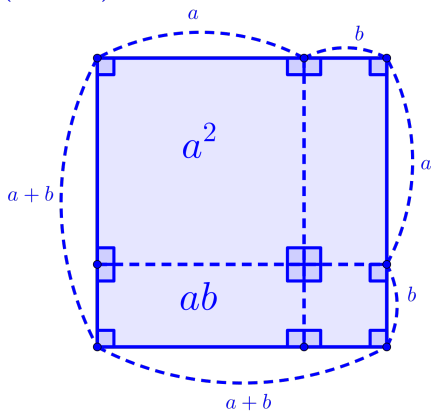
$$(a + b)^2$$



$$(a + b)^2 = a^2 + 2ab + b^2$$

▶ Start

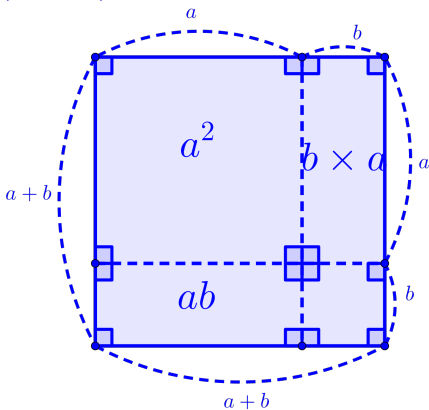
$$(a + b)^2$$



$$(a + b)^2 = a^2 + 2ab + b^2$$

▶ Start

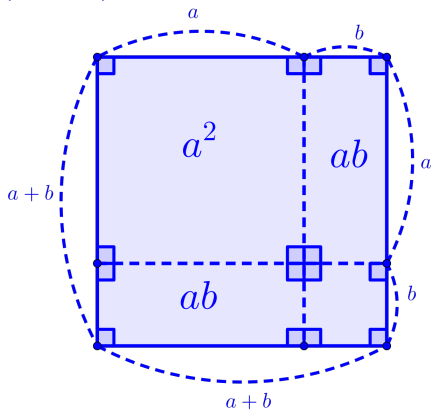
$$(a + b)^2$$



$$(a + b)^2 = a^2 + 2ab + b^2$$

▶ Start

$$(a + b)^2$$

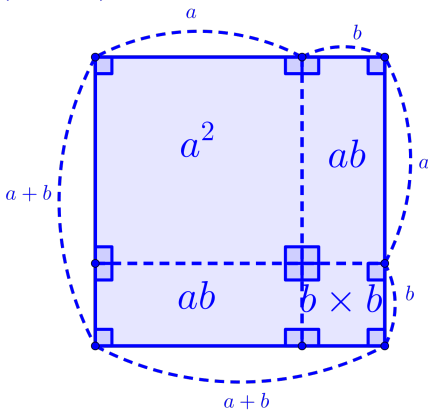




$$(a + b)^2 = a^2 + 2ab + b^2$$

▶ Start

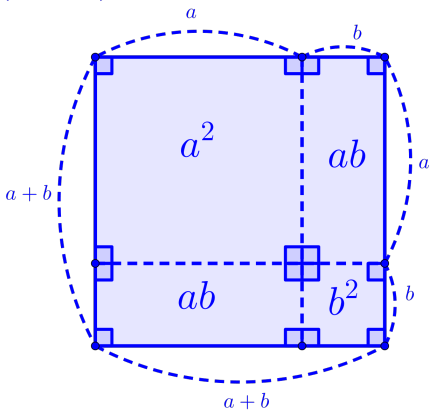
$$(a + b)^2$$



$$(a + b)^2 = a^2 + 2ab + b^2$$

▶ Start

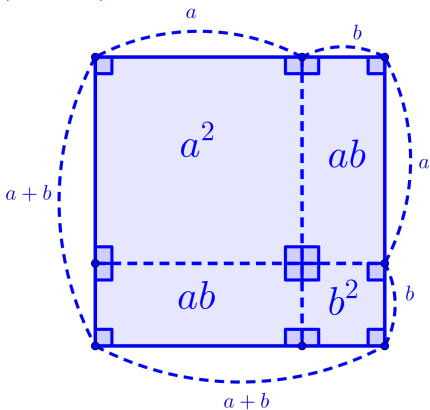
$$(a + b)^2$$



$$(a + b)^2 = a^2 + 2ab + b^2$$

▶ Start

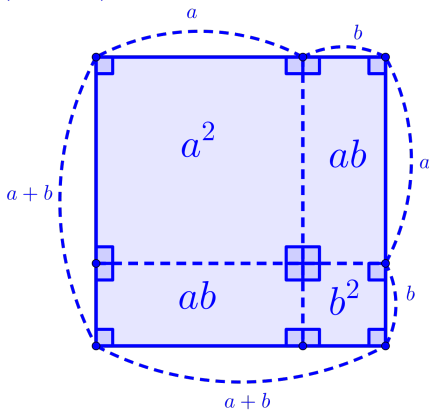
$$(a + b)^2 = a^2 + ab + ab + b^2$$



$$(a + b)^2 = a^2 + 2ab + b^2$$

▶ Start

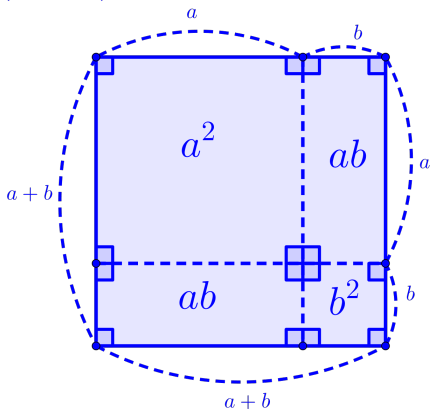
$$(a + b)^2 = a^2 + 2 \times ab + b^2$$



$$(a + b)^2 = a^2 + 2ab + b^2$$

▶ Start

$$(a + b)^2 = a^2 + 2ab + b^2$$



$$(a + b)^2 = a^2 + 2ab + b^2$$

▶ Home

$$(a + b)^2 = a^2 + 2ab + b^2$$

