

$$(a + b)(c + d) = ac + ad + bc + bd$$

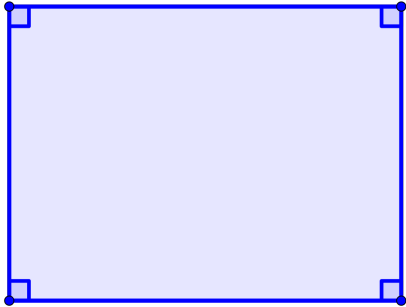
$$(a + b)(c + d) = ac + ad + bc + bd$$

$$(a + b)(c + d) = ac + ad + bc + bd$$

▶ Start

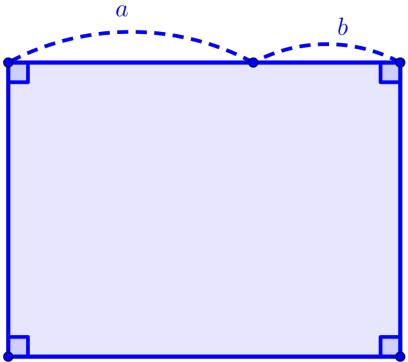
$$(a + b)(c + d) = ac + ad + bc + bd$$

▶ Start



$$(a + b)(c + d) = ac + ad + bc + bd$$

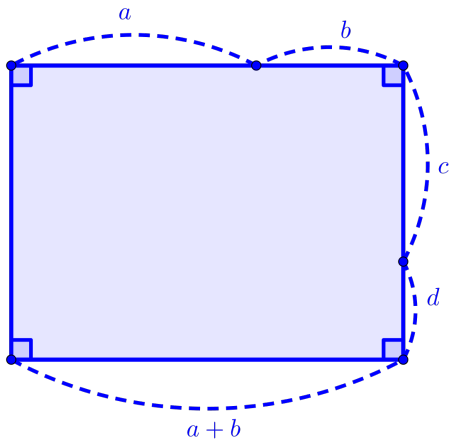
▶ Start





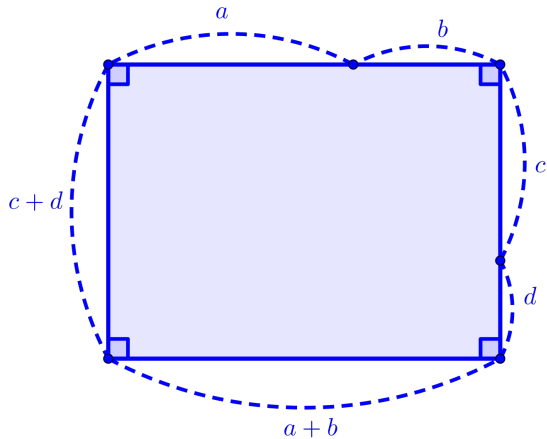
$$(a + b)(c + d) = ac + ad + bc + bd$$

▶ Start



$$(a + b)(c + d) = ac + ad + bc + bd$$

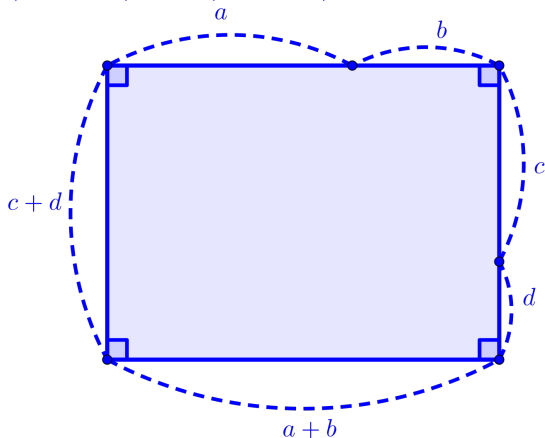
▶ Start



$$(a + b)(c + d) = ac + ad + bc + bd$$

▶ Start

$$(a + b) \times (c + d)$$

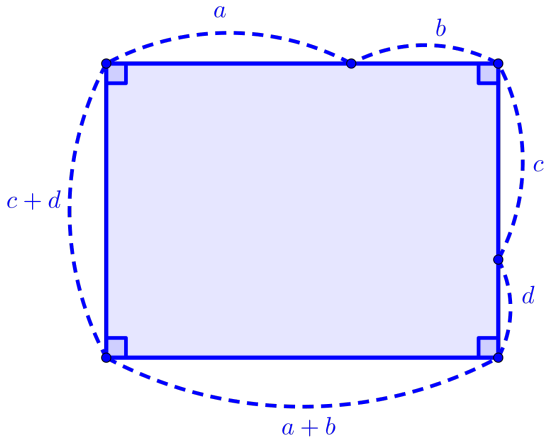




$$(a + b)(c + d) = ac + ad + bc + bd$$

▶ Start

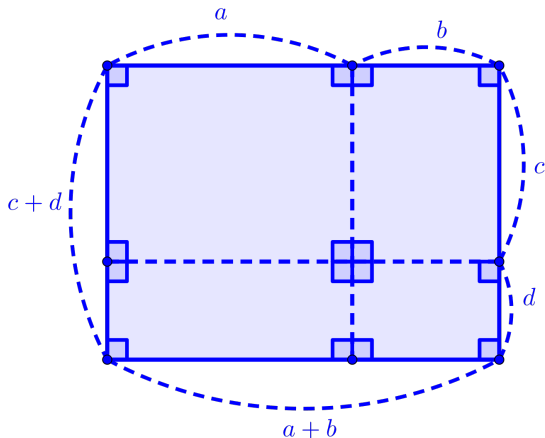
$$(a + b)(c + d)$$



$$(a + b)(c + d) = ac + ad + bc + bd$$

▶ Start

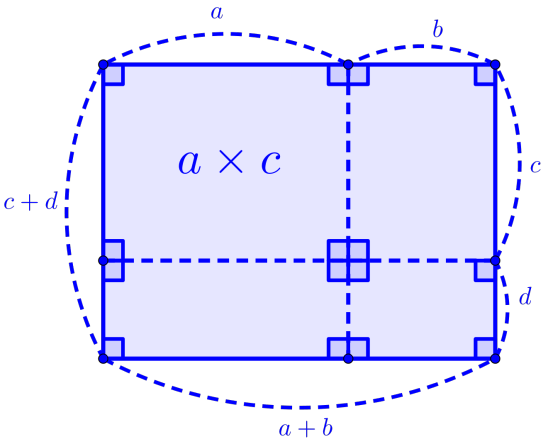
$$(a + b)(c + d)$$



$(a + b)(c + d) = ac + ad + bc + bd$

► Start

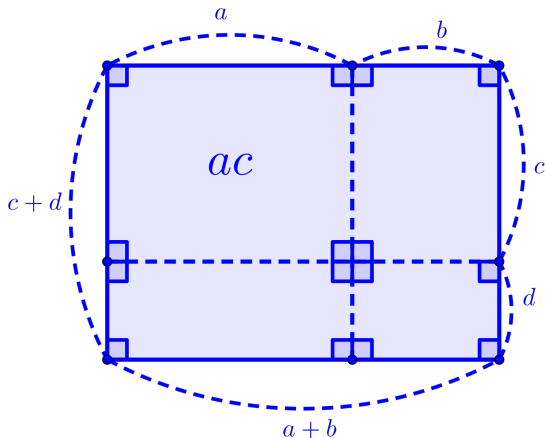
$(a + b)(c + d)$



$$(a + b)(c + d) = ac + ad + bc + bd$$

▶ Start

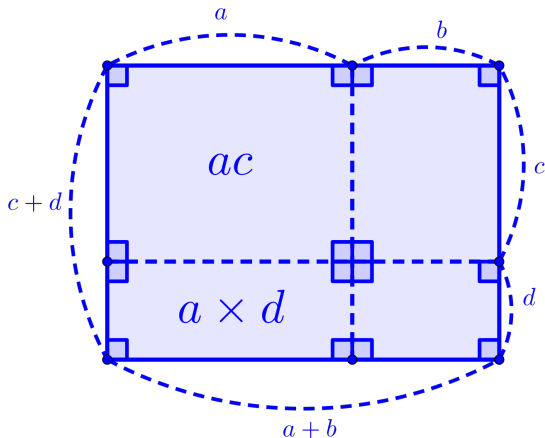
$$(a + b)(c + d)$$



$$(a + b)(c + d) = ac + ad + bc + bd$$

▶ Start

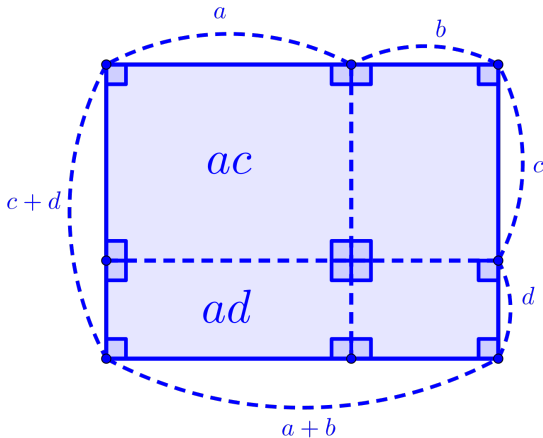
$$(a + b)(c + d)$$



$$(a + b)(c + d) = ac + ad + bc + bd$$

▶ Start

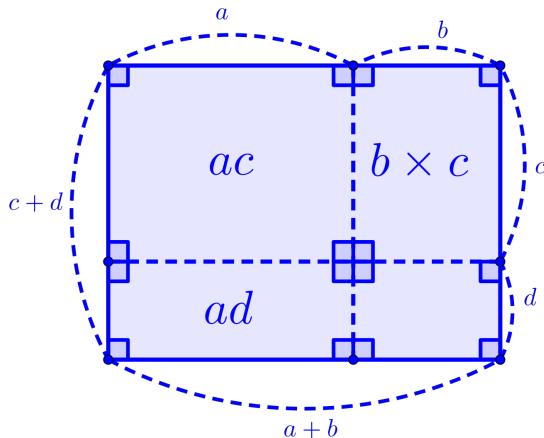
$$(a + b)(c + d)$$



$$(a + b)(c + d) = ac + ad + bc + bd$$

▶ Start

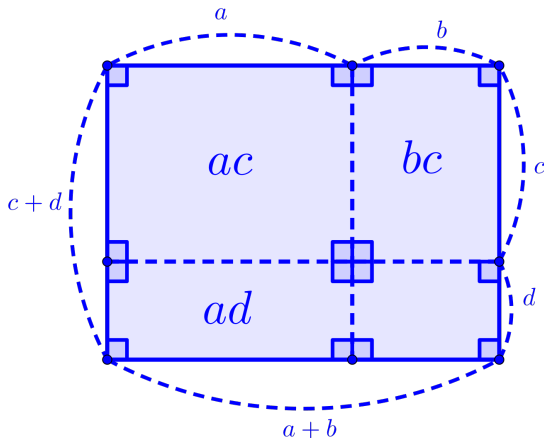
$$(a + b)(c + d)$$



$$(a + b)(c + d) = ac + ad + bc + bd$$

▶ Start

$$(a + b)(c + d)$$

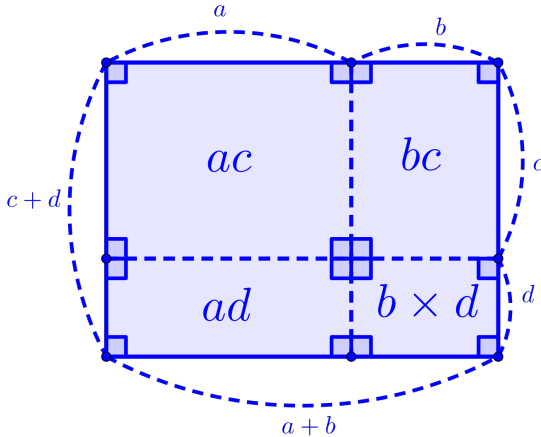




$$(a + b)(c + d) = ac + ad + bc + bd$$

► Start

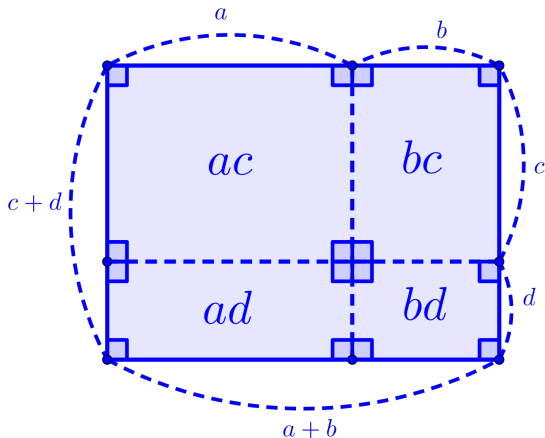
$$(a + b)(c + d)$$



$$(a + b)(c + d) = ac + ad + bc + bd$$

▶ Start

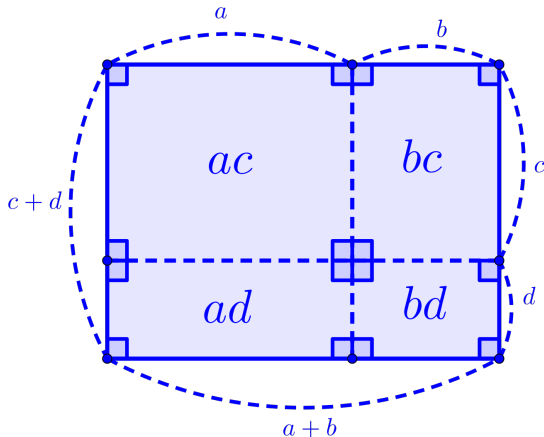
$$(a + b)(c + d)$$



$$(a + b)(c + d) = ac + ad + bc + bd$$

▶ Start

$$(a + b)(c + d) = ac + ad + bc + bd$$



$$(a + b)(c + d) = ac + ad + bc + bd$$

▶ Home

$$(a + b)(c + d) = ac + ad + bc + bd$$

